

THIS DRAWING IS UNPUBLISHED.

RELEASED FOR PUBLICATION

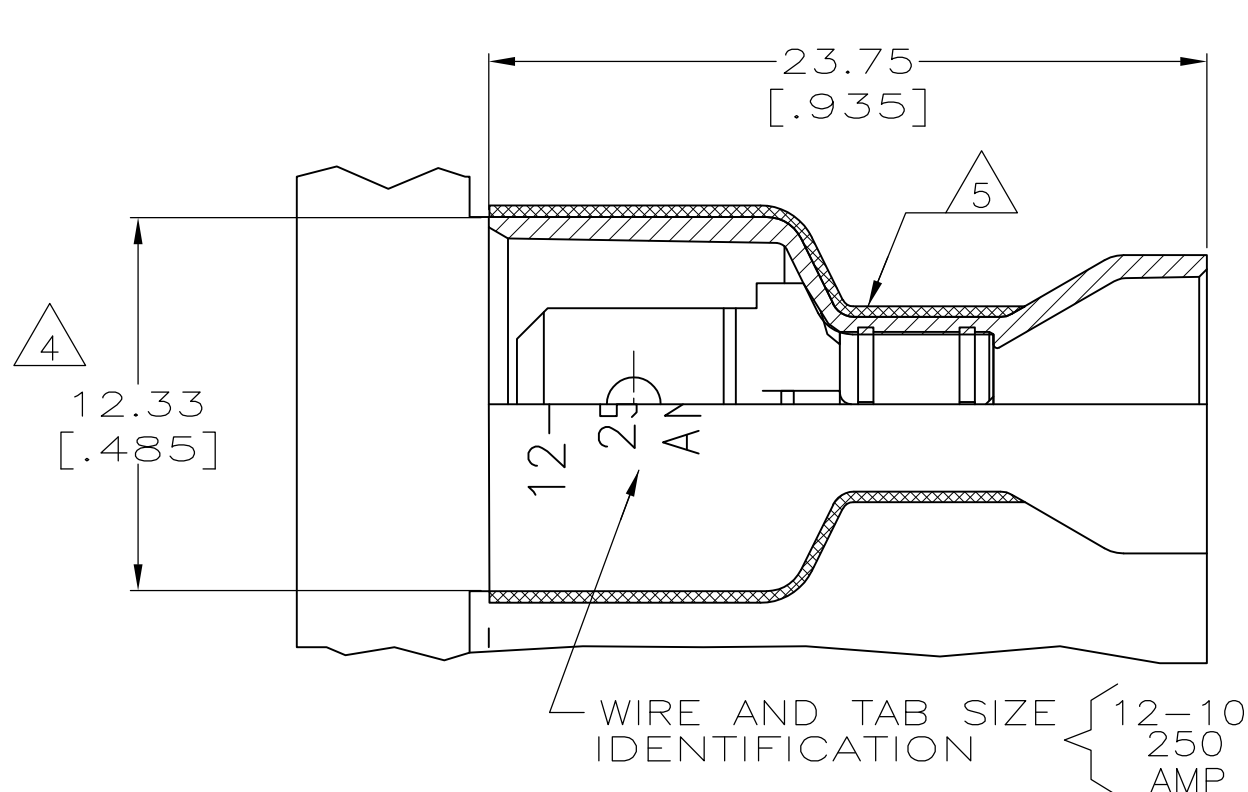
ALL RIGHTS RESERVED.

© COPYRIGHT - By -

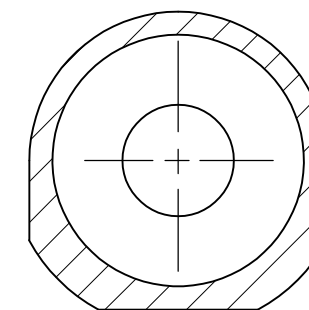
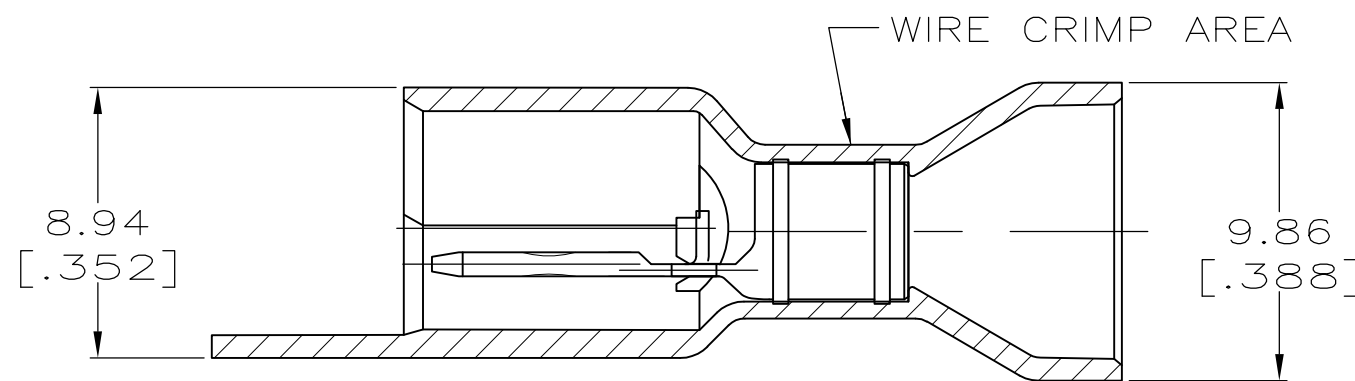
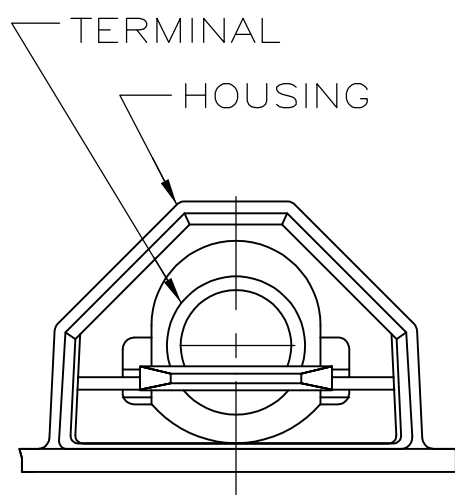
LOC AF DIST 50

REVISIONS

P	LTR	DESCRIPTION	DATE	DWN	APVD
	F	REVISED PER ECR-13-004343	30JUL13	KH	KR



- 1 TAB DIMENSIONS $0.81^{+.025}_{-.050} \times 6.35$ [$.032^{+.001}_{-.002} \times .250$]
- 2 WIRE STRIP LENGTH 7.92 [.312].
- 3 CONTINUOUS STRIP ON REELS.
- 4 DIMENSION DOES NOT INCLUDE TRIM BURR.
- 5 0.38 [.015] MAX CARRIER TRIM BURR PER SIDE IS ALLOWABLE IN THE SHADED AREA.
- 6 INSULATION SIZE IS .320 MAX DIA.



HOUSING: NYLON,COLOR-YELLOW
 TAB: BRASS, TIN

4-521097-2

MATERIAL & FINISH

PART NO

THIS DRAWING IS A CONTROLLED DOCUMENT.

DWN JR RUTH 9/25/95

CHK P FORTNEY 9/25/95

APVD D BRATINA 9/25/95

PRODUCT SPEC

108-2017

APPLICATION SPEC

114-2123

WEIGHT -

CUSTOMER DRAWING

STE TE Connectivity

TAB ASSEMBLY, ULTRA-FAST,
[6.35] .250 SERIES, 12-10 AWG

SIZE	CAGE CODE	DRAWING NO	RESTRICTED TO
A3	00779	C-521097	-

DIMENSIONS: INCHES	TOLERANCES UNLESS OTHERWISE SPECIFIED:
	0 PLC ± -
	1 PLC ± -
	2 PLC ± 0.38 [.015]
	3 PLC ± -
	4 PLC ± -
	ANGLES ± -
MATERIAL SEE TABLE	FINISH SEE TABLE

SCALE	SHEET	REV
4:1	1 OF 1	F